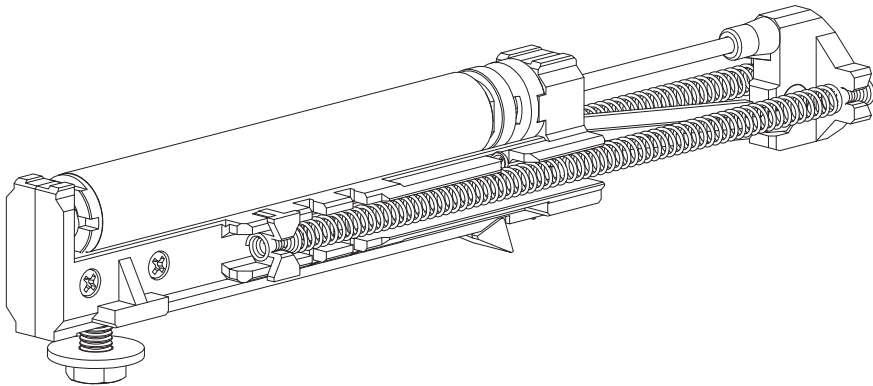
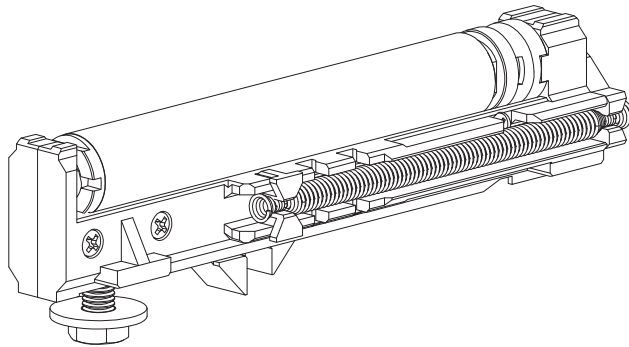
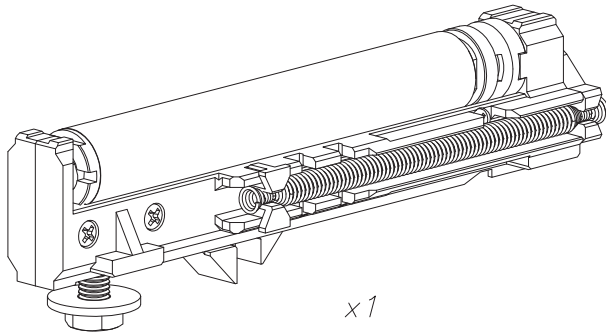




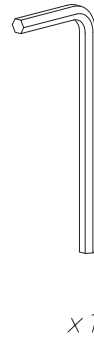
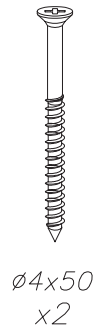
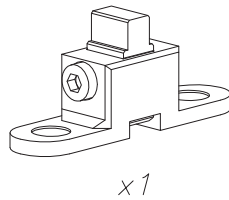
SILENT-STOP

HERKULES 60, 120, HERKULES *Plus*
DELTA, SIGMA, SIGMA *Plus*, AMARENO

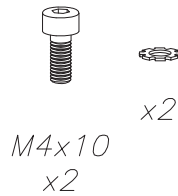
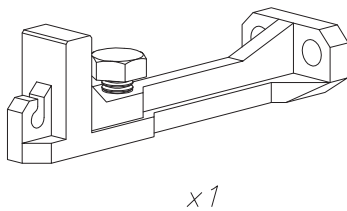


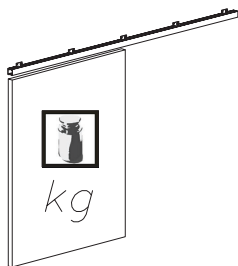


HERKULES 60, 120, DELTA, SIGMA, AMARENO

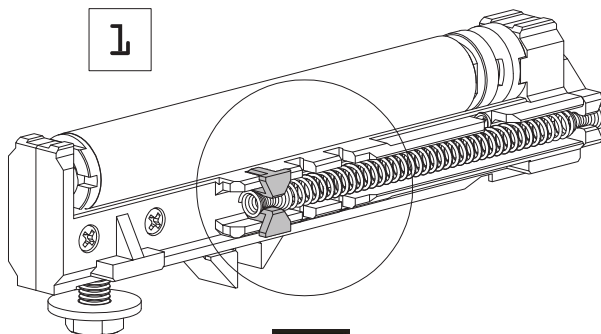


HERKULES *Glas*, SIGMA *Glas*

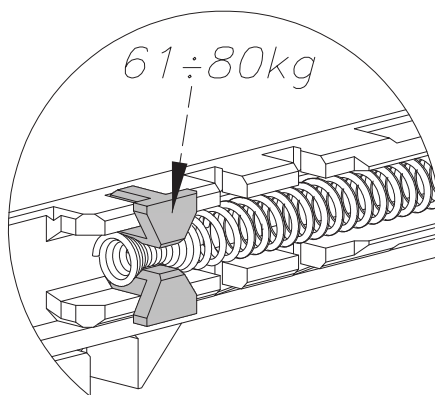
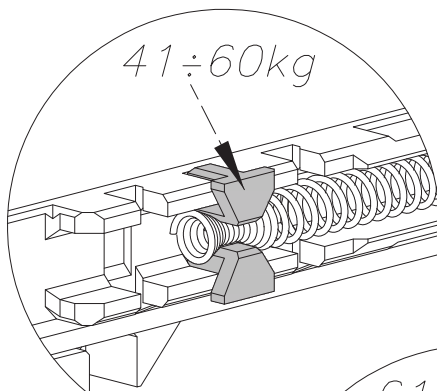
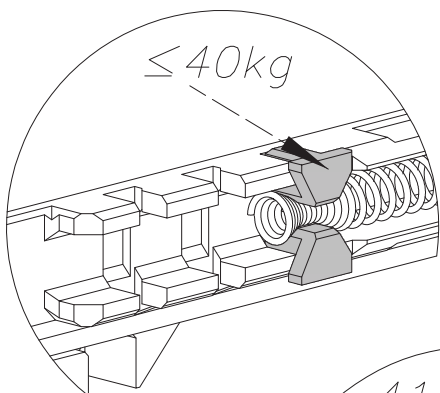




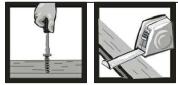
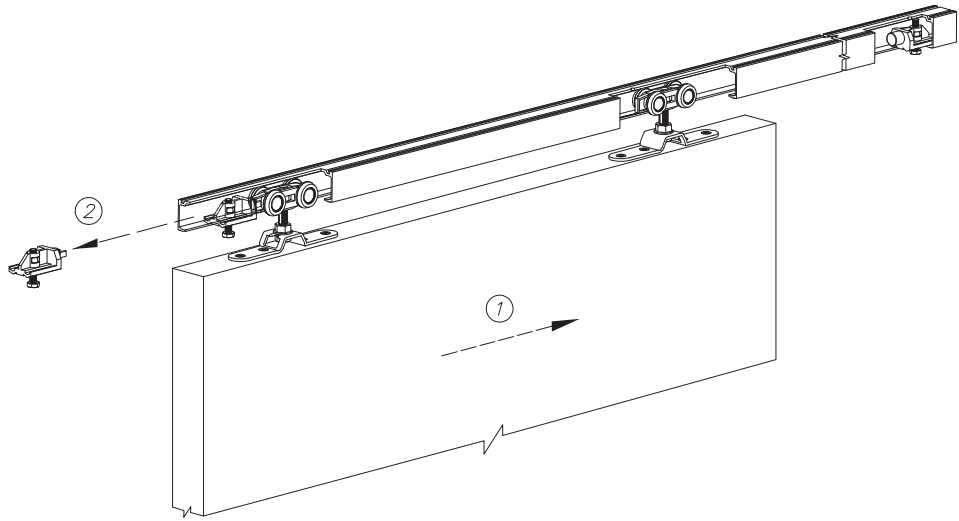
1



?



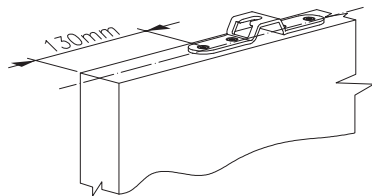
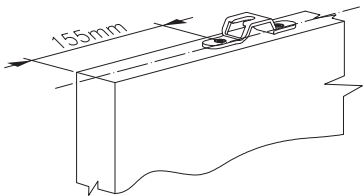
2 HERKULES 60, 120, DELTA, SIGMA, AMARENO



3 HERKULES 60, DELTA



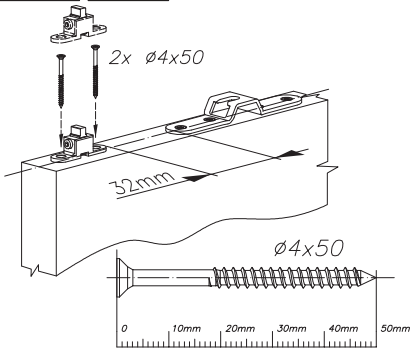
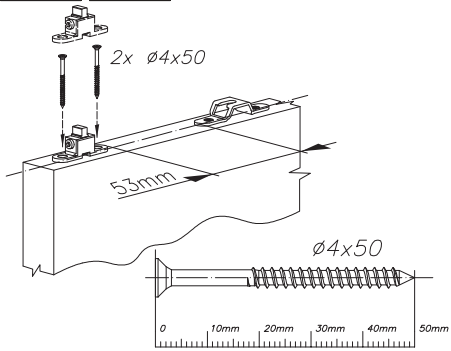
3 HERKULES 120, SIGMA, AMARENO

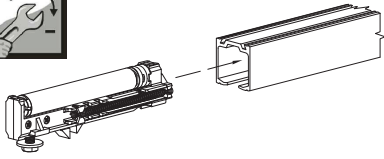


4 HERKULES 60, DELTA



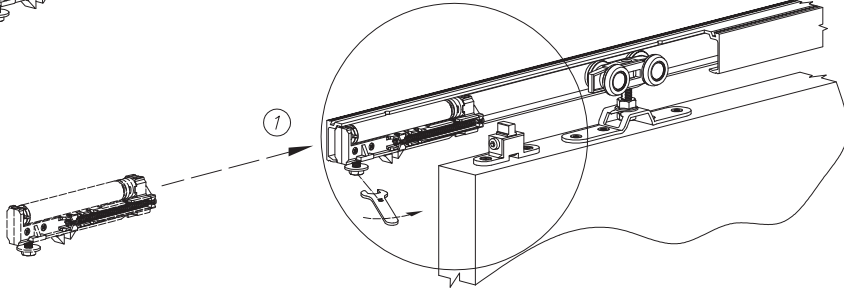
4 HERKULES 120, SIGMA, AMARENO





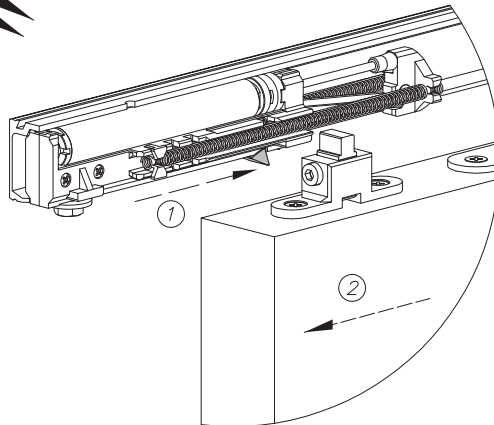
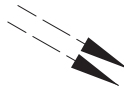
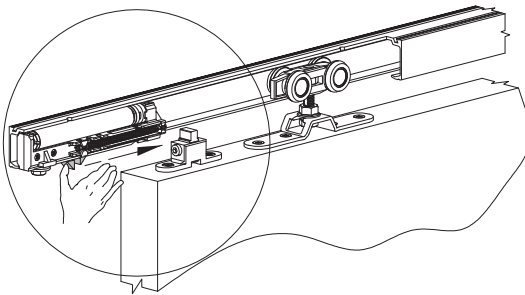
5

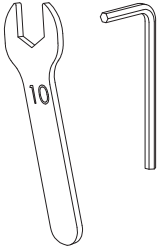
HERKULES 60, 120, DELTA, SIGMA, AMARENO



6

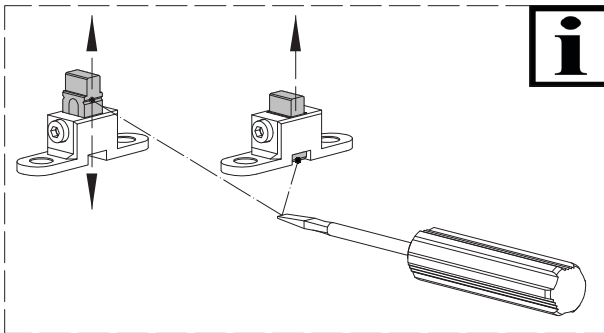
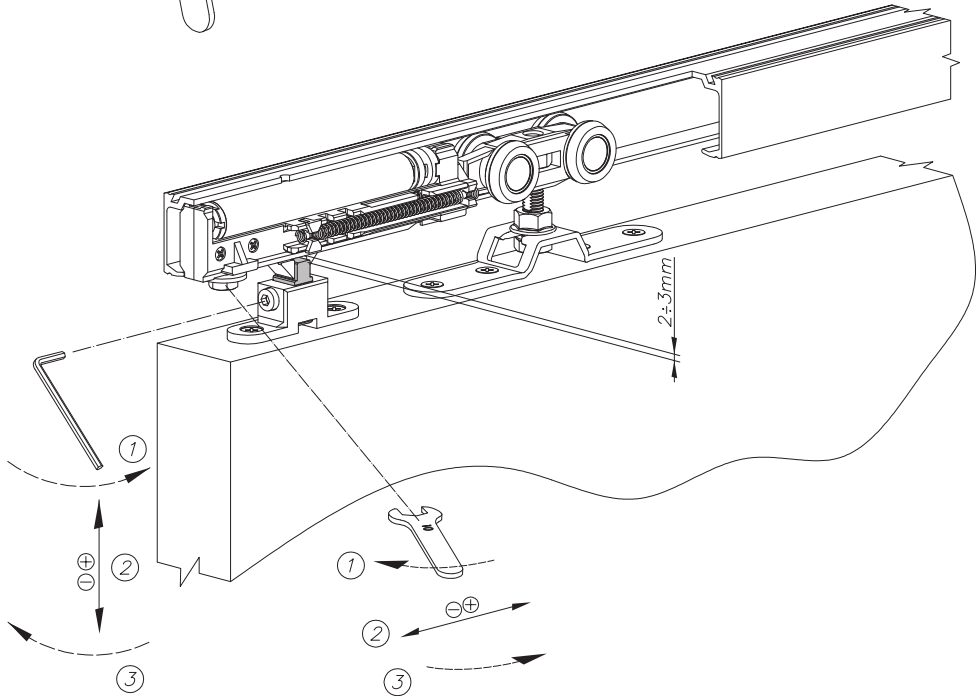
HERKULES 60, 120, DELTA, SIGMA, AMARENO





7

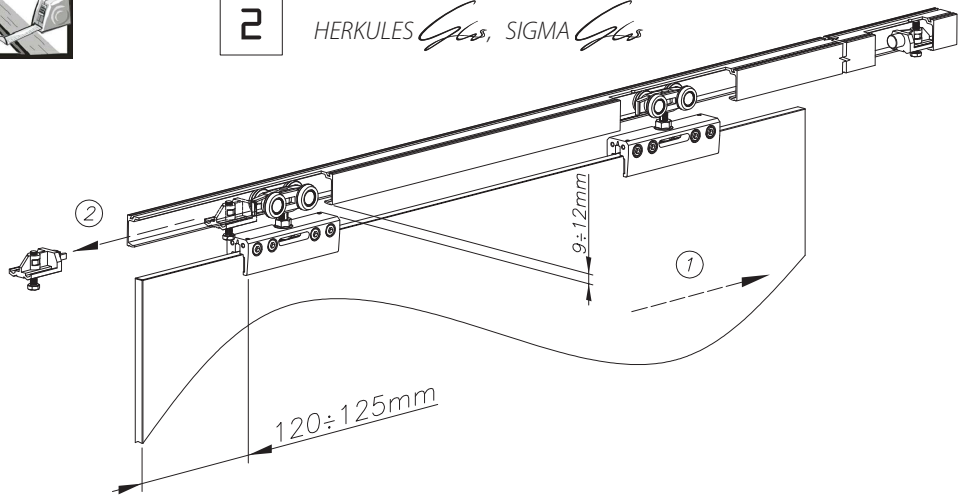
HERKULES 60, 120, DELTA, SIGMA, AMARENO





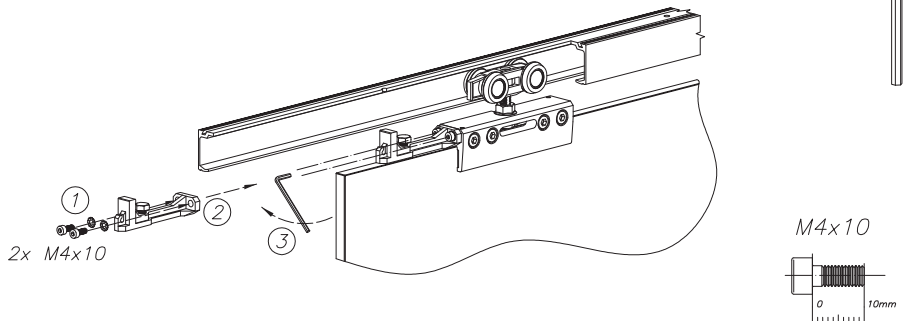
2

HERKULES *Glas*, SIGMA *Glas*



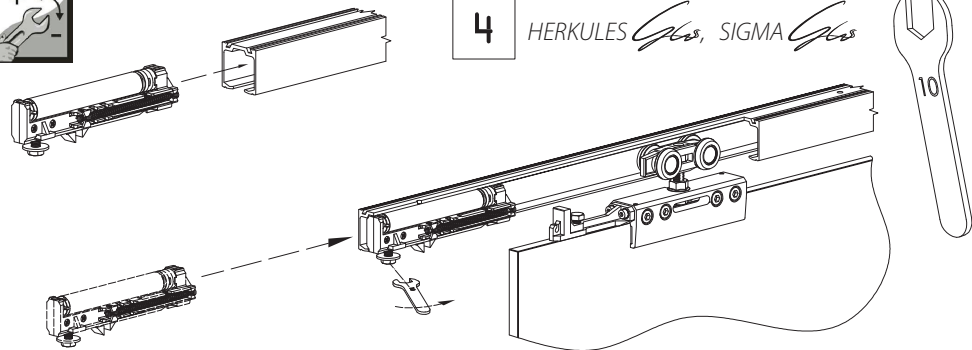
3

HERKULES *Glas*, SIGMA *Glas*



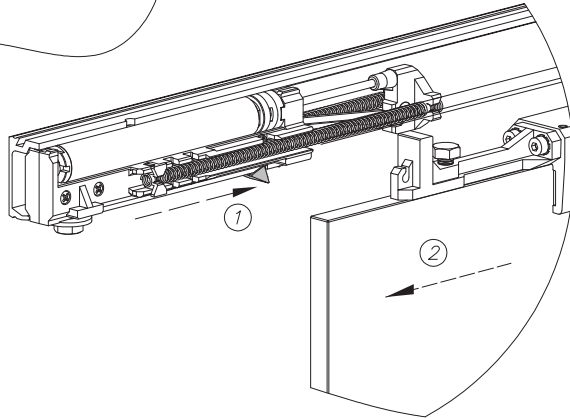
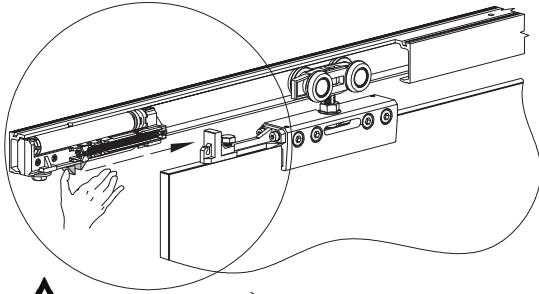
4

HERKULES *Glas*, SIGMA *Glas*



5

HERKULES *Clas*, SIGMA *Clas*



6

HERKULES *Clas*, SIGMA *Clas*

